



ALAN WANZENBERG

for REMAINS LIGHTING

ANCRAM TABLE LAMP

This tall rectangular table light by Alan Wanzenberg for Remains Lighting has a unique hand-worked surface reminiscent of a weathered barn or a sand washed piece of drift wood. The washed and brushed finish adds a sophisticated note to this primitive elemental shape. Finished with fine metal details and a fine handkerchief linen shade. Shown in Dark Waxed Bronze.

DIMENSIONS:

Overall: 30-3/8" h.

Shade: 12" h. x 16" top diameter x 17" bottom diameter

Base: 6-1/2" w. x 4-3/4" d.

Body: 15-3/8" h. x 6-1/2" w. x 4-1/2" d.

LAMPING:

2 Edison sockets, maximum 60 watts per socket

OPTIONS:

Limited to existing stock.

For other configurations and sizes, see our Taghkanic Studio Family.

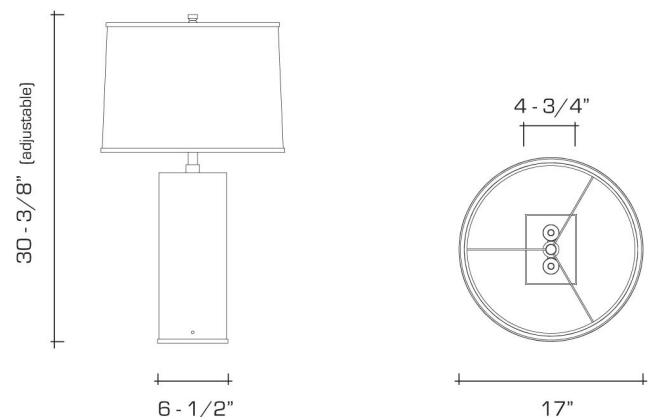



LINEN SHADE OPTION

AVAILABLE FINISHES

polished brass, burnished brass, dark waxed bronze, polished nickel, burnished nickel

antique brass, oil rubbed bronze, satin nickel, light pewter, german silver, dark pewter



 UL listed for use in dry environments