

# REMAINS LIGHTING

PERMANENT COLLECTION

## MARLOWE 16 LANTERN WITH ANTIQUE CAILLOU D'OR GLASS

Our limited edition Marlowe Lantern features circa 1930s Belgian Caillou d'Or glass. The slender legs are joined by jewelry-cast corners with clean, domed fasteners. Glazed with four panels of textured amber glass containing a square wire pattern. Due to the antique nature of this glass, there may be some nicks or imperfections in each piece.

Shown in Polished Nickel.

### DIMENSIONS:

Minimum height: 23"

Overall: 16" w. x 16" d.

### LAMPING:

5 candelabra sockets, maximum 60 watts per socket

### OPTIONS:

For other configurations and sizes, see our Marlowe Family.

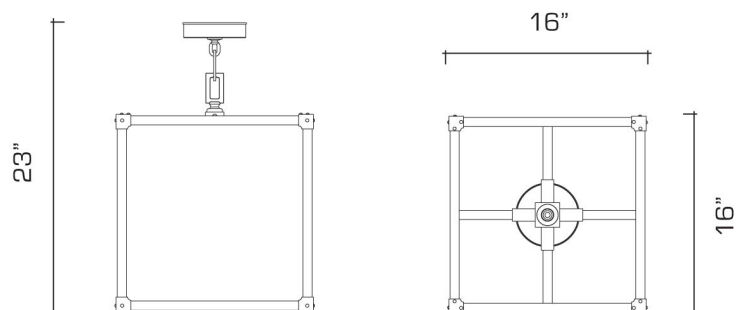



### AVAILABLE FINISHES


polished brass

burnished nickel, polished nickel, dark waxed bronze

dark pewter, german silver, light pewter, antique brass, oil rubbed bronze, satin nickel



 UL listed for use in dry environments

 Manufactured using 90% recycled brass