



ALAN WANZENBERG

for REMAINS LIGHTING

INGERSOLL SCONCE

Based on the study of numerous designs for functional lighting, and inspired by many past masters of the classical modern movement. Refined proportions and exceptional construction with a beautiful in-curving ring supported by a simple curved arm and circular backplate that holds its almost full-round milk glass shade. Shown in Light Pewter.

DIMENSIONS:

Overall: 10-3/8" h. x 6-1/4" w. x 9-1/4" d.
Backplate: 4-3/4" diameter
Glass: 8" diameter

LAMPING:

Single Candelabra socket, maximum 60 watts

OPTIONS:

Supplied with white glass shade; clear glass also available.
For other configurations and sizes, see our Ingersoll Family.

JUNCTION BOX:

2" x 3" Vertical junction box recommended

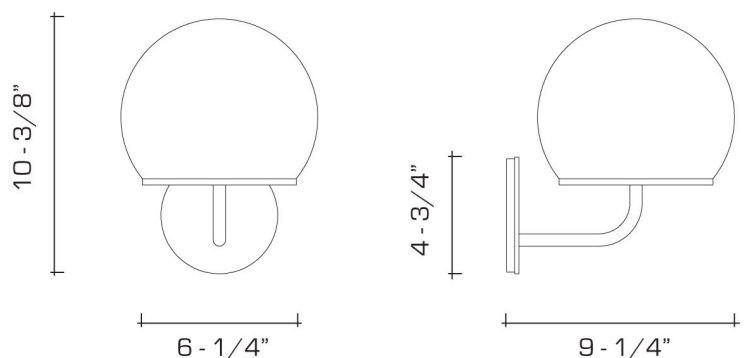



AVAILABLE FINISHES

polished brass

burnished brass, dark waxed bronze, polished nickel, burnished nickel

antique brass, oil rubbed bronze, satin nickel, light pewter, german silver, dark pewter



 UL listed for use in dry or damp environments.

 Manufactured using 90% recycled brass