



# REMAINS LIGHTING

PERMANENT COLLECTION

## ALEXANDRA SINGLE SCONCE

This stately sconce pairs classical, Regency grandeur with 1930s elegance and sophistication. The scroll-edged backplate supports a fluted, rectangular-section arm, which curves forward gracefully to hold a tapered torchiere. Shown in Dark Pewter.

### DIMENSIONS:

Overall: 9-3/8" h. x 3-5/8" w. x 4" d.

Backplate: 5-1/4" h. x 3-5/8" w.

### LAMPING:

Single Candelabra socket, maximum 60 watts

### OPTIONS:

For other configurations and sizes, see our Alexandra Family.

### JUNCTION BOX:

2" x 3" Vertical junction box recommended

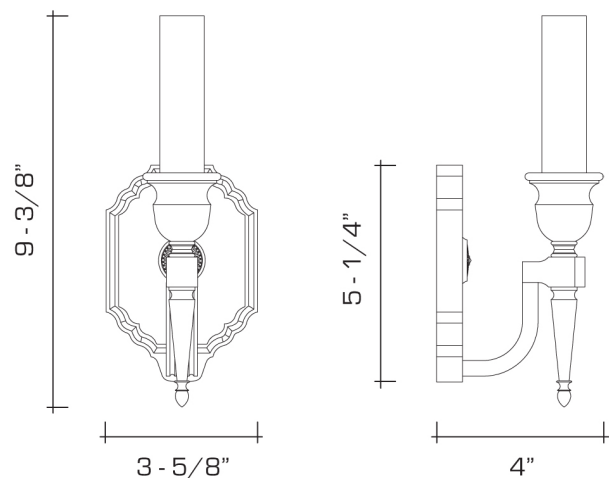



## AVAILABLE FINISHES


polished brass

polished nickel, burnished brass, burnished nickel, dark waxed bronze

satin nickel, dark pewter, german silver, light pewter, antique brass, oil rubbed bronze



 UL listed for use in dry environments

 Manufactured using 85% recycled brass