



REMAINS LIGHTING

PERMANENT COLLECTION

OSKAR 18 PENDANT

A limited edition pendant fixture made from a cache of salvaged vintage industrial holophane glass. The polished aluminum and nickel metalwork is custom made in the Remains Lighting Brooklyn workshop and shows slight striations and imperfections, similar to the industrial lights that served as their inspiration. Due to the antique nature of this fixture, there may be some nicks or imperfections in the glass as well as variations from piece to piece. Shown in Polished Nickel.

DIMENSIONS:

Minimum height: 20-1/4"

Overall: 18-1/2" diameter

LAMPING:

Single Edison socket, maximum 100 watts

Also available with single GU24 socket

OPTIONS:

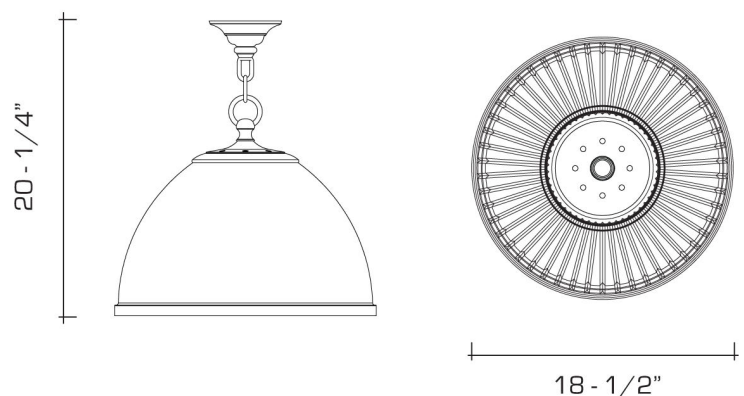
For other configurations and sizes, see our Oskar Family.




AVAILABLE FINISHES

polished aluminum and nickel

satin aluminum and nickel



 UL listed for use in dry or damp environments.