



# REMAINS LIGHTING

## PERMANENT COLLECTION

### REX 14 SCONCE

A faceted arm and cup project from the sleek, diamond-shaped backplate of this Jazz Age-inspired sconce. Brass, with an inset panel of mirror, black, or white glass, as specified. Shown in Polished Brass.

#### DIMENSIONS:

Overall: 14-1/4" h. x 6-5/8" w. x 2-3/4" d.

#### LAMPING:

Single Candelabra socket, maximum 60 watts

#### OPTIONS:

Available with mirror, black or white glass inset. For other configurations and sizes, see our Ava/Rex Family.

#### JUNCTION BOX:

2" x 3" Vertical junction box required

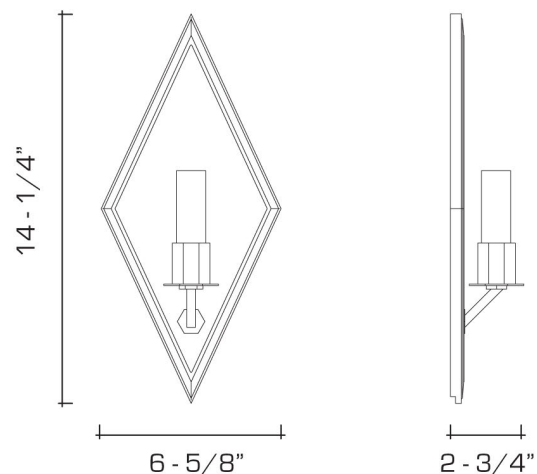



#### AVAILABLE FINISHES


polished brass

polished nickel, burnished brass, burnished nickel, dark waxed bronze

oil rubbed bronze, dark pewter, german silver, light pewter, satin nickel, antique brass



 UL listed for use in dry environments

 Manufactured using 95% recycled brass