



## CARDEA 15 FLUSH MOUNT

We love the way the slightly varied, broad forms of glass are suspended between the precise and regular lines of brass framing. These jewelbox fixtures have discretely hinged panels for interior access, appropriate to their namesake, Cardea, the Roman goddess of doorways and hinges. Shown in Antique Brass.

### DIMENSIONS:

Overall: 4-3/4" drop x 15" w. x 15" d.

### LAMPING:

4 Edison sockets, maximum 60 watts per socket  
Also available with GU24 sockets

### OPTIONS:

Frosted glass also available.  
For other configurations and sizes, see our Cardea Family.

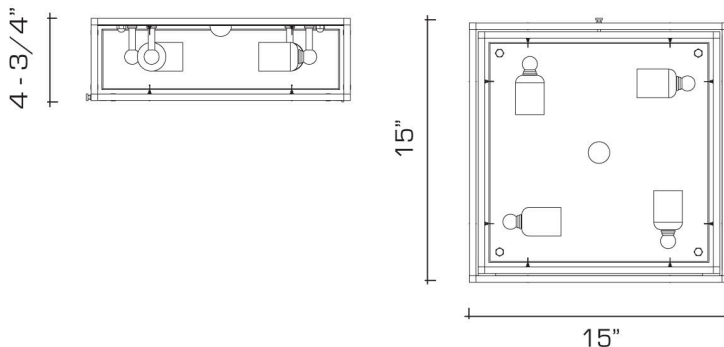



## AVAILABLE FINISHES

polished brass

burnished brass, burnished nickel, dark waxed bronze,  
polished nickel

dark pewter, german silver, light pewter, antique brass, oil  
rubbed bronze, satin nickel



 UL listed for use in dry environments