

commune

for

REMAINS LIGHTING



FLAT MOUNT

Commune's slash collection is inspired by Viennese Secession, French 1950's and Milanese modernist designs as seen through a California lens. Each fixture is handcrafted to order in brass with a solid shade or Commune's signature "slash" pierced shade.

Shown in Polished Nickel.

DIMENSIONS:

Minimum height (flush mounted): 4-3/8"

Overall: 4-3/8" drop x 12" diameter

Body: 4" h.

Glass: 9-5/8" diameter

LAMPING:

Single Edison socket, maximum 75 watts

OPTIONS:

Also available with solid brass shade.

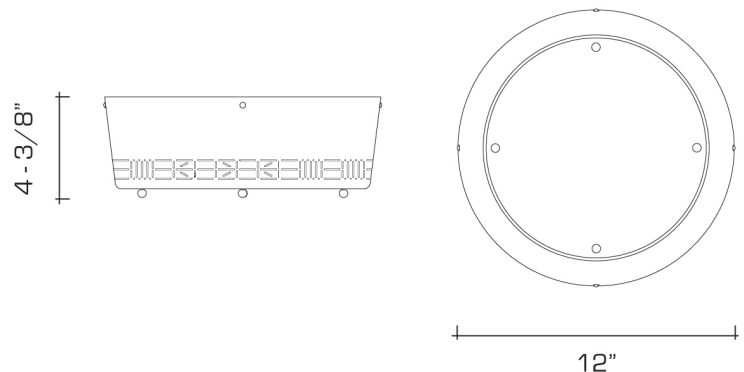
For other configurations and sizes, see our Slash Family.



AVAILABLE FINISHES

polished brass

dark waxed bronze, polished nickel



UL listed for use in dry or damp environments.