



# REMAINS LIGHTING

PERMANENT COLLECTION

## VICKERS SCONCE

The Vickers Sconce has a delicate bevel on its backplate, creating a bullseye effect. The slender arm holds a wide and shallow waxpan. Shown in Polished Brass.

### DIMENSIONS:

Overall: 12" h. x 5-1/2" w. x 4-3/8" d.

Backplate: 5-1/2" diameter

### LAMPING:

Single Candelabra socket, maximum 60 watts

### OPTIONS:

For other configurations and sizes, see our Vickers Family.

### JUNCTION BOX:

2" x 3" Vertical junction box recommended

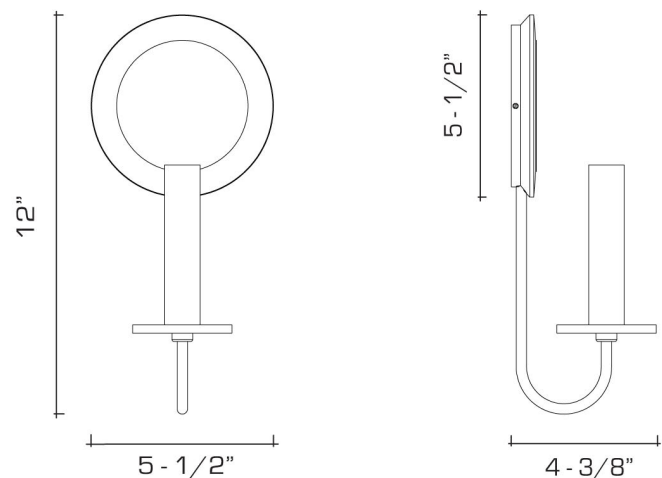



## AVAILABLE FINISHES

polished brass

burnished brass, dark waxed bronze, polished nickel, burnished nickel

antique brass, oil rubbed bronze, satin nickel, dark pewter, german silver, light pewter



 UL listed for use in dry environments