

REMAINS LIGHTING

PERMANENT COLLECTION

FAIRCHILD SCONCE

The Fairchild has patterns of coves and ridged bevels recalling watchcases and cockpit instrumentation bezels. Shown in Polished Nickel.

DIMENSIONS:

Overall: 12-5/8" h. x 6-1/2" w. x 6-1/8" d.

Backplate: 6-1/2" h. x 6-1/2" w.

LAMPING:

Single Candelabra socket, maximum 60 watts

OPTIONS:

For other configurations and sizes, see our Fairchild Family.

JUNCTION BOX:

2" x 3" Vertical junction box recommended

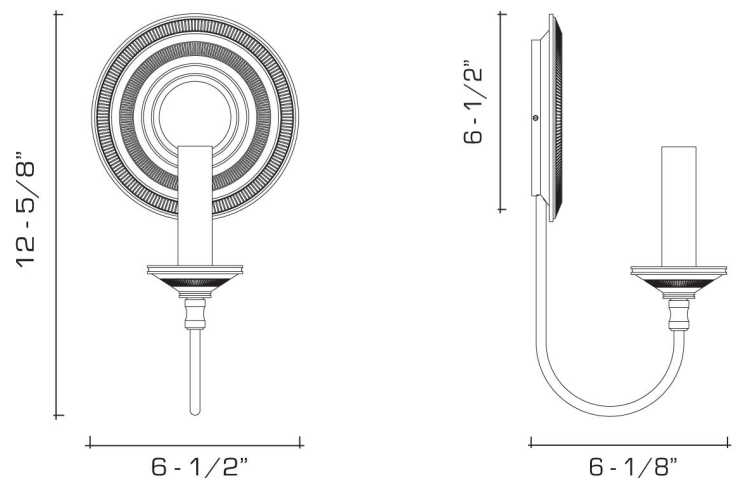



AVAILABLE FINISHES

polished brass

burnished brass, dark waxed bronze, polished nickel, burnished nickel

antique brass, oil rubbed bronze, satin nickel, light pewter, german silver, dark pewter



 UL listed for use in dry environments