



REMAINS LIGHTING

PERMANENT COLLECTION

DORNIER SCONCE

Influenced by the sleek all-metal Dornier DO-X flying boat, the Dornier Sconce mirrors the aircraft's powerful and streamlined appearance. Truly, the original (and still under contemplation) of this design had six lights arrayed on a bar, like the DO-X's engines.

Shown in Antique Brass.

DIMENSIONS:

Overall: 7-7/8" h. x 4-3/4" w. x 3-3/8" d.

Backplate: 4-3/4" h. x 4-3/4" w.

LAMPING:

Single Candelabra socket, maximum 60 watts

OPTIONS:

For other configurations and sizes, see our Dornier Family.

JUNCTION BOX:

2" x 3" Vertical junction box recommended

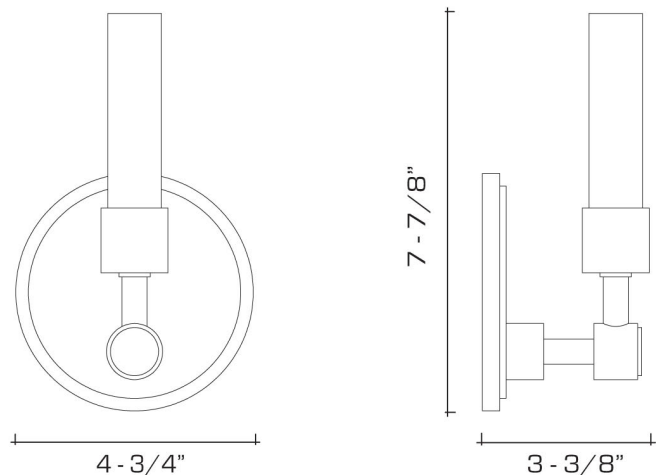



AVAILABLE FINISHES

polished brass, polished bronze

polished nickel, burnished nickel, burnished brass, dark waxed bronze

satin nickel, light pewter, german silver, dark pewter, antique brass, oil rubbed bronze



 UL listed for use in dry environments