



REMAINS LIGHTING

PERMANENT COLLECTION

DORNIER TWIN SCONCE

Influenced by the sleek all-metal Dornier DO-X flying boat, the Dornier Sconce mirrors the aircraft's powerful and streamlined appearance. Truly, the original (and still under contemplation) of this design had six lights arrayed on a bar, like the DO-X's engines.

Shown in Antique Brass.

DIMENSIONS:

Overall: 8-3/8" h. x 8-1/4" w. x 3-3/8" d.

Backplate: 4-3/4" h. x 4-3/4" w.

LAMPING:

2 Candelabra sockets, maximum 60 watts per socket

OPTIONS:

For other configurations and sizes, see our Dornier Family.

JUNCTION BOX:

2" x 3" Vertical junction box recommended

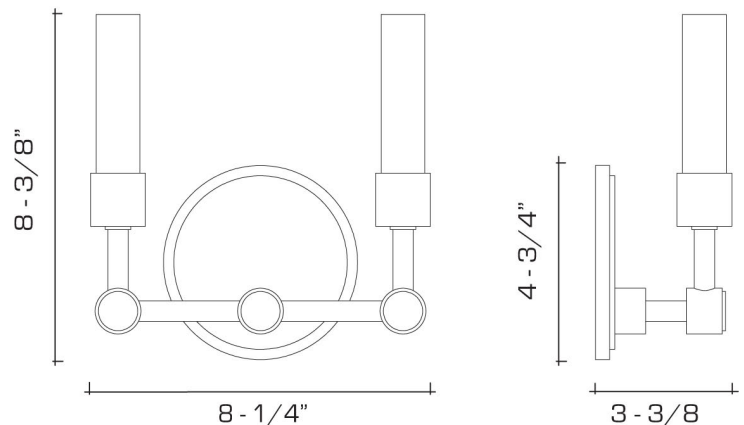



AVAILABLE FINISHES

polished brass, polished bronze

burnished brass, dark waxed bronze, polished nickel, burnished nickel

antique brass, oil rubbed bronze, satin nickel, light pewter, german silver, dark pewter



 UL listed for use in dry environments