



# REMAINS LIGHTING

PERMANENT COLLECTION

## MONTGOMERY TWIN SCONCE

Montgomery is simple, clean, sharply tailored, and always elegant but with something profound under the surface. There's an undeniable and magical thread to the sunken SS Richard Montgomery, an American Liberty cargo ship, the masts still visible off the shore of the Thames Estuary. Shown in Dark Waxed Bronze.

### DIMENSIONS:

Overall: 10-1/8" h. x 9-3/4" w. x 4" d.

Backplate: 4-7/8" h. x 4-7/8" w.

### LAMPING:

2 Candelabra sockets, maximum 60 watts per socket

### OPTIONS:

For other configurations and sizes, see our Montgomery Family.

### JUNCTION BOX:

2" x 3" Vertical junction box recommended

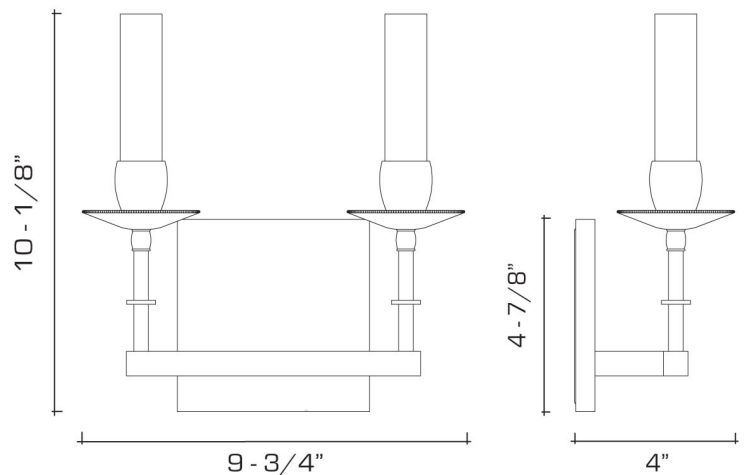



## AVAILABLE FINISHES

polished brass

burnished brass, dark waxed bronze, polished nickel, burnished nickel

antique brass, oil rubbed bronze, satin nickel, light pewter, dark pewter, german silver



 UL listed for use in dry environments