



REMAINS LIGHTING

PERMANENT COLLECTION

NEW YORK • GREENWICH • CHICAGO • LOS ANGELES • LONDON

ELLIOTT PENDANT

A streamlined pendant fixture consisting of a white linen drum shade on brass hardware with a frosted glass diffuser.

Shown in Medium Antique Brass.

DIMENSIONS:

MINIMUM HEIGHT: 12"

OVERALL: 14" DIAMETER

SHADE: 8" H. X 14" DIAMETER

LAMPING:

2 Edison sockets, maximum 75 watts per socket

Also available with 2 GU24 sockets

OPTIONS:

For other configurations and sizes, see our Elliott Family.



UL listed for use in dry environments

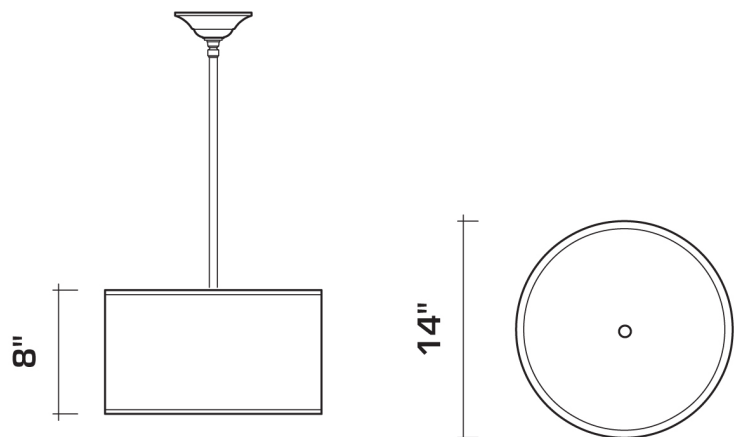
AVAILABLE FINISHES

polished brass

burnished brass, burnished nickel, dark waxed bronze, polished nickel

dark antique brass, dark pewter, german silver, light antique brass, light pewter, medium antique brass, oil rubbed bronze, satin nickel

silverplate



Manufactured using 90% recycled brass