

Scofield at REMAINS LIGHTING

EDISON STYLE WALL PENDANT MEDIUM

With the introduction of the first light bulb in 1879, the world's fascination with the source of light took on new heights. Bulbs were meant to be seen and admired. The simplicity of this rustic interpretation of the Victorian fixture stays true to this fact. Edison type shade circa 1880. Designed by Scofield. Shown in Bronzed Copper.

DIMENSIONS:

Overall: 21-1/2" h. x 15" w. x 18" d.

LAMPING:

Single Edison socket, maximum 100 watts

OPTIONS:

Please specify gooseneck or straight arm bracket and white glazed or natural interior on aged tin finish.

For other configurations and sizes, see our Edison Family.

See our Scofield options sheet for selections

JUNCTION BOX:

2" x 3" Vertical junction box

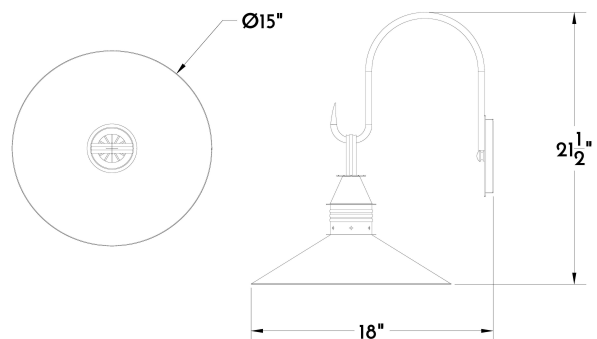



AVAILABLE FINISHES

natural copper

bronzed copper

aged tin, oxidized copper



 UL listed for use in dry or damp environments.