

# Scofield at REMAINS LIGHTING

## FRENCH STATION EXTERIOR HANGING LANTERN

Based on a French railroad station hanging lantern design, 18th century.  
Shown in Bronzed Copper.

### DIMENSIONS:

Minimum height: 26-1/4"  
Overall: 11-3/4" w. x 11-3/4" d.

### LAMPING:

3 Candelabra sockets

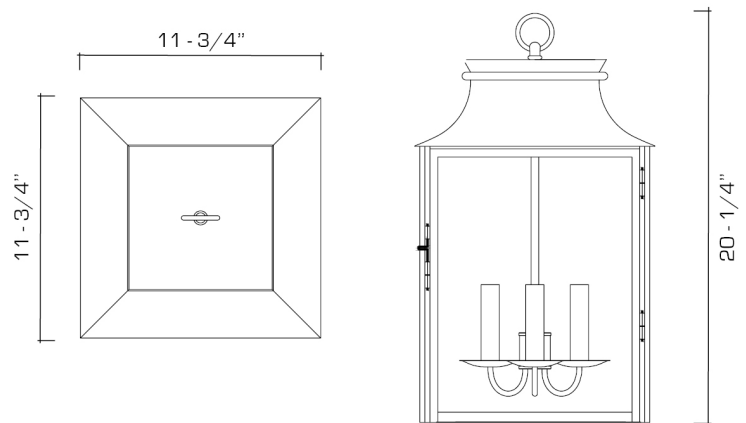
### OPTIONS:


Please specify candlesleeve choice. Hanging hook and additional glass options available. Recommended maximum wattage for beeswax candle sleeves in a socket cluster is 25 watts each.  
For other configurations and sizes, see our French Station Family.  
See our Scofield options sheet for selections



### AVAILABLE FINISHES

- natural copper
- bronzed copper
- oxidized copper



 UL listed for use in dry, damp, or wet environments.