

# Scofield at REMAINS LIGHTING

## PHILADELPHIA EXTERIOR HANGING LANTERN SMALL

Ben Franklin's early experience in his father's soap and candle shop led fortuitously to his invention of a two wick tube that greatly increased the power of lantern light in 1751. This led to the production of street lanterns that lit the city of Philadelphia. Late 18th - early 19th century.

Shown in Bronzed Copper.

### DIMENSIONS:

Minimum height: 28-1/2"

Overall: 12" w. x 12" d.

### LAMPING:

Single Edison socket, maximum 100 watts  
Also available with single Candelabra socket

### OPTIONS:

Please specify curved or straight chimney. Additional glass options available.

For other configurations and sizes, see our Philadelphia Lantern Family.

See our Scofield options sheet for selections

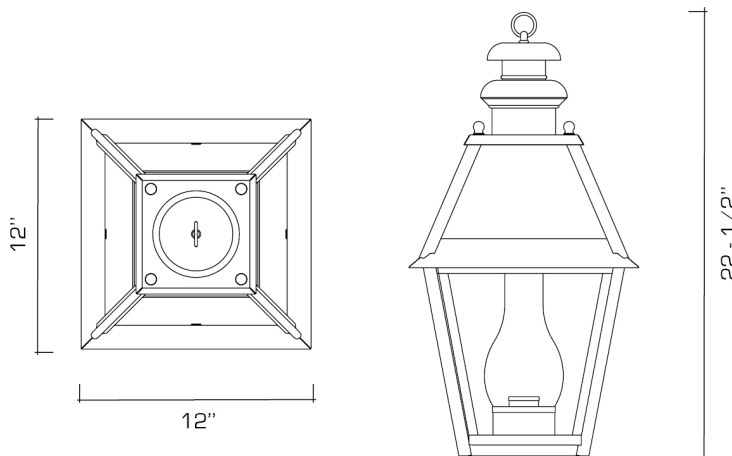



### AVAILABLE FINISHES

natural copper

bronzed copper

oxidized copper



 UL listed for use in dry, damp, or wet environments.