

Scofield at REMAINS LIGHTING

PHILADELPHIA EXTERIOR WALL LANTERN MEDIUM

Ben Franklin's early experience in his father's soap and candle shop led fortuitously to his invention of a two wick tube that greatly increased the power of lantern light in 1751. This led to the production of street lanterns that lit the city of Philadelphia. Late 18th - early 19th century. Designed by Scofield. Shown in Bronzed Copper.

DIMENSIONS:

Overall: 24" h. x 14" w. x 18" d.

LAMPING:

Single Edison socket, maximum 100 watts
Also available with 3 Candelabra socket

OPTIONS:

Please specify curved or straight chimney. Supplied on a yoke bracket; gooseneck or wing bracket and additional glass options available.
For other configurations and sizes, see our Philadelphia Lantern Family.
See our Scofield options sheet for selections

JUNCTION BOX:

2" x 3" Vertical junction box

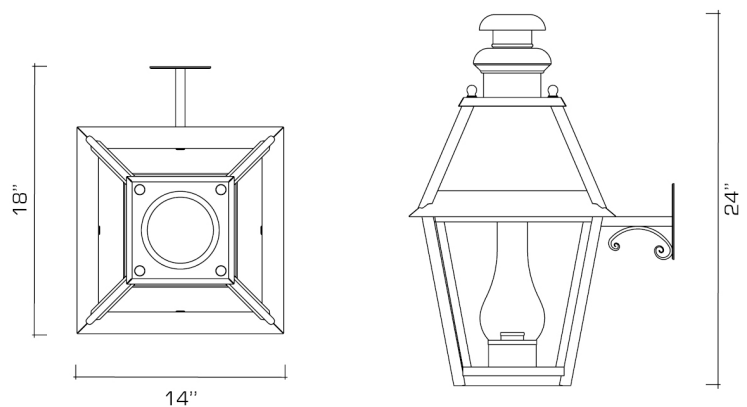



AVAILABLE FINISHES

natural copper

bronzed copper

oxidized copper



 UL listed for use in dry, damp, or wet environments.