

Scofield at **REMAINS LIGHTING**

BOSTON EXTERIOR POST LANTERN SMALL

Boston street lighting typical to late 18th - early 19th century. Designed by Scofield.
Shown in Bronzed Copper.

DIMENSIONS:

Overall: 32" h. x 12" w. x 12" d.

LAMPING:

Single Edison socket, maximum 100 watts
Also available with single Candelabra socket

OPTIONS:

Please specify curved or straight chimney.
Additional glass and post options available.
Supplied with a 3" post collar, pier mounting options also available.
For other configurations and sizes, see our Boston Lantern Family.
See our Scofield options sheet for selections



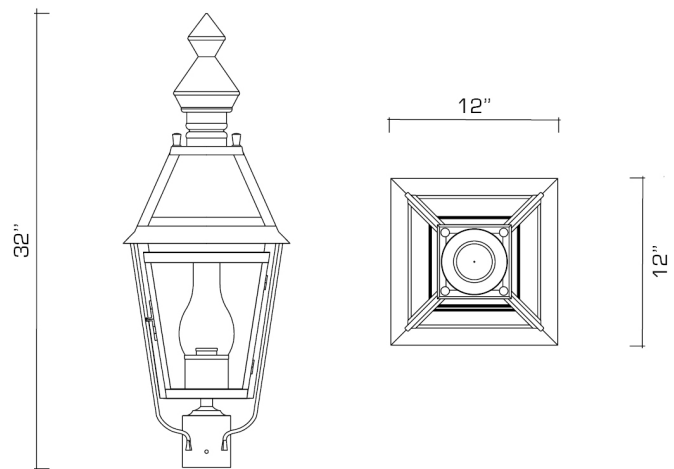
AVAILABLE FINISHES


natural copper

bronzed copper

oxidized copper

leaded copper



 UL listed for use in dry, damp, or wet environments.