

Scofield at REMAINS LIGHTING

ENGLISH GAS EXTERIOR HANGING LANTERN LARGE

Developed in London in the late 18th century, gas lighting quickly spread to American cities. Gas light technology arrived in Baltimore city in 1816 and was first introduced to private residences by a Philadelphia coppersmith. Inspired by a hanging lantern found in Birmingham, England, early 19th century. Designed by Scofield. Shown in Bronzed Copper.

DIMENSIONS:

Minimum height: 36"

Overall: 19" diameter

LAMPING:

3 Candelabra sockets

OPTIONS:

Please specify candlesleeve choice. Supplied on chain: hanging hook and additional glass options available. Recommended maximum wattage for beeswax candle sleeves in a socket cluster is 25 watts each.

For other configurations and sizes, see our English Gas Family.

See our Scofield options sheet for selections

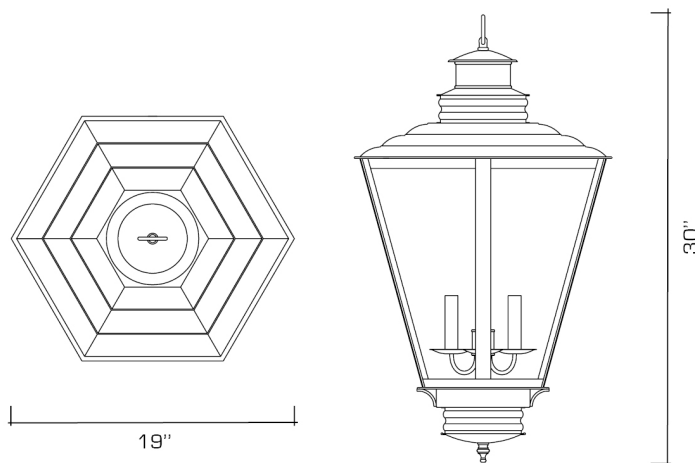



AVAILABLE FINISHES

natural copper

bronzed copper

oxidized copper



 UL listed for use in dry, damp, or wet environments.