

Scofield at REMAINS LIGHTING

ENGLISH GAS EXTERIOR WALL LANTERN LARGE

Developed in London in the late 18th century, gas lighting quickly spread to American cities, arriving in Baltimore in 1816 and was introduced to private residences by a Philadelphia coppersmith. Inspired by a hanging lantern found in Birmingham, England, early 19th century. Designed by Scofield. Shown in Bronzed Copper.

DIMENSIONS:

Overall: 29-1/2" h. x 19" w. x 20-1/2" d.

LAMPING:

Single Edison socket, maximum 100 watts
Also available with 3 Candelabra socket

OPTIONS:

Please specify curved or straight chimney. Supplied on a yoke bracket; wing or gooseneck brackets and additional glass options available. For other configurations and sizes, see our English Gas Family. See our Scofield options sheet for selections

JUNCTION BOX:

2" x 3" Vertical junction box

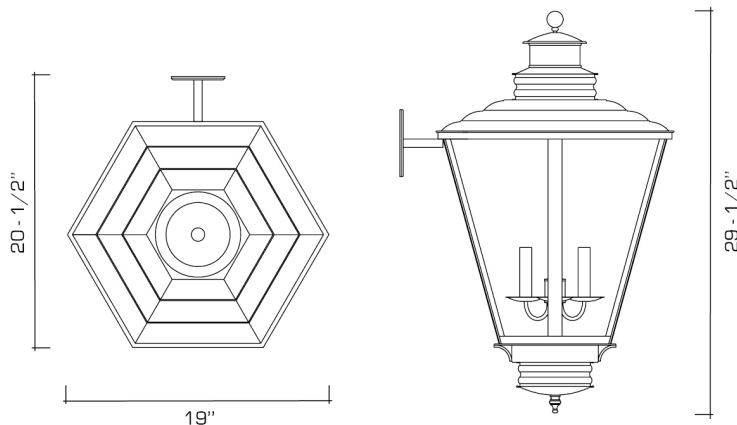


AVAILABLE FINISHES

natural copper

bronzed copper

oxidized copper



UL listed for use in dry, damp, or wet environments.

