

# Scofield at REMAINS LIGHTING

## NEW ENGLAND ONION WALL LANTERN LARGE

Originally fueled by whale oil, this type of lantern was frequently associated with maritime use. Featuring clear hand-blown glass. New England, circa 1830. Designed by Scofield. Shown in Bronzed Copper.

### DIMENSIONS:

Overall: 25-3/4" h. x 13-3/4" w. x 15-3/4" d.

### LAMPING:

Single Edison socket, maximum 100 watts

### OPTIONS:

Available without a cage. Supplied with a gooseneck bracket; shepherd's crook or straight arm bracket also available.

For other configurations and sizes, see our New England Onion Family.

See our Scofield options sheet for selections

### JUNCTION BOX:

2" x 3" Vertical junction box

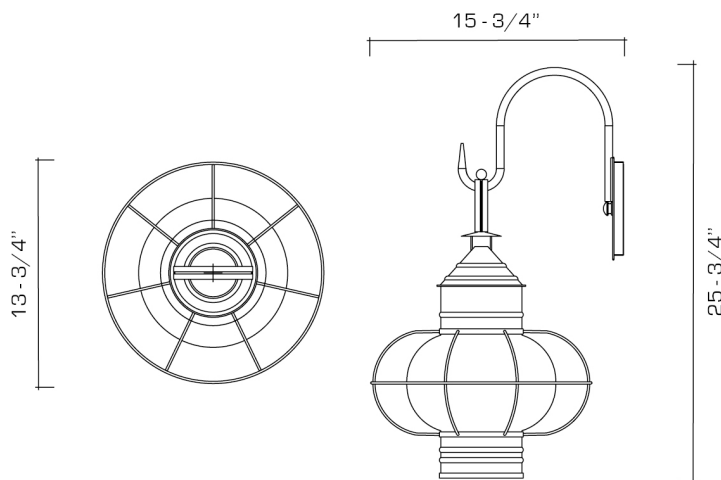



### AVAILABLE FINISHES

natural copper

bronzed copper

oxidized copper



 UL listed for use in dry or damp environments.