



REMAINS LIGHTING

PERMANENT COLLECTION

NEW YORK • GREENWICH • CHICAGO • LOS ANGELES • LONDON

MARTIN LANTERN

An elegant and versatile eight-sided geometric lantern, glazed with clear seeded glass. The glass is contained by solid brass framing. Shown in Dark Waxed Bronze.

DIMENSIONS:

MINIMUM HEIGHT: 26"

OVERALL: 12" w. x 12" d.


LAMPING:

4 candelabra sockets, maximum 60 watts per socket

OPTIONS:

Several glass variations available.
For other configurations and sizes, see our Martin Family.



 UL listed for use in dry environments

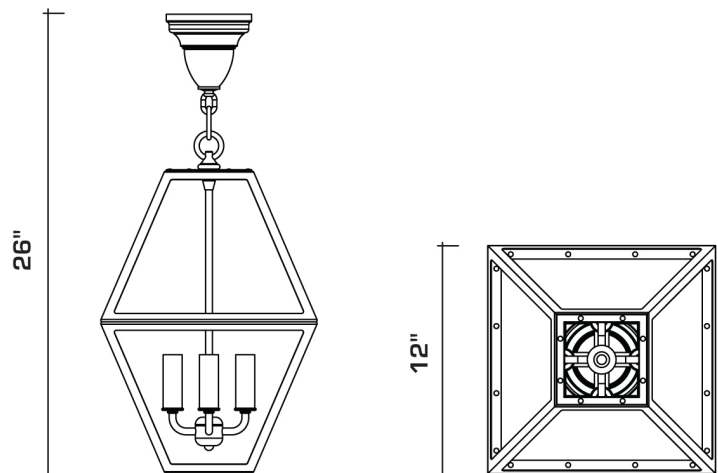
AVAILABLE FINISHES

polished brass

burnished brass, burnished nickel, dark waxed bronze, polished nickel

dark antique brass, dark pewter, german silver, light antique brass, light pewter, medium antique brass, oil rubbed bronze, satin nickel

silverplate



Manufactured using 90% recycled brass