



REMAINS LIGHTING

PERMANENT COLLECTION

NEW YORK • GREENWICH • CHICAGO • LOS ANGELES • LONDON

VERONIQUE 21 PICTURE LIGHT

Inspired by classic French Moderne designs, the Veronique family is created from crisp, simple forms. This picture light, designed by Steven Sclaroff, has 170° of swing and 90° of rotation. Shown in Polished Nickel.

DIMENSIONS:

OVERALL: 4" H. x 23-1/2" W. x 9" D.

BACKPLATE: 4" H. x 23-1/2" W.

SHADE: 20-1/2" W. x 3-1/2" D.

LAMPING:

2 Edison sockets, maximum 75 watts per socket
Also available with 2 GU24 sockets

OPTIONS:


Custom sizes available.

For other configurations and sizes, see our Veronique Family.

JUNCTION BOX:

2" x 3" horizontal junction box recommended



 UL listed for use in dry environments

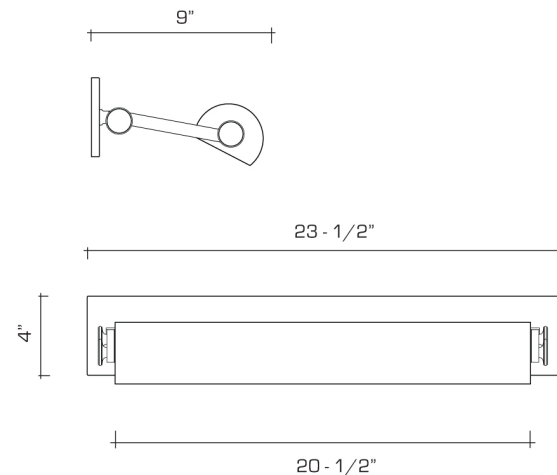
AVAILABLE FINISHES

polished brass

burnished brass, burnished nickel, dark waxed bronze, polished nickel

dark antique brass, dark pewter, german silver, light antique brass, light pewter, medium antique brass, oil rubbed bronze, satin nickel

silverplate



Manufactured using 85% recycled brass