



# REMAINS LIGHTING

## PERMANENT COLLECTION

### ERIC SWING ARM

A torchiere swing-arm sconce, precisely crafted from solid brass, with fine beading and rope-twist details. The lamp is shaded with a silk shade. Shown in Burnished Brass.

#### DIMENSIONS:

Overall (extended): 19" h. x 10-1/4" w. x 25-1/2" d.  
Backplate: 4-3/4" h. x 3" w.  
Shade: 9-1/2" h. x 8-1/4" top diameter x 10-1/4" bottom diameter

#### LAMPING:

Single Edison socket, maximum 100 watts  
Also available with single GU24 or Three-Way Edison socket

#### OPTIONS:

For other configurations and sizes, see our Eric Family.

#### JUNCTION BOX:

2" x 3" vertical junction box recommended

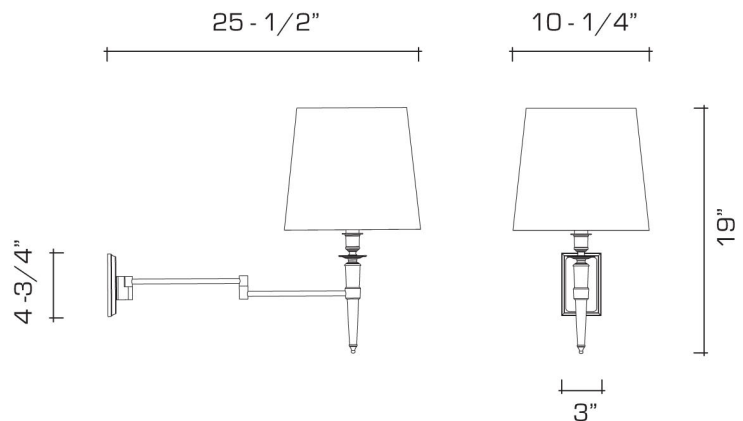



#### AVAILABLE FINISHES


polished brass

burnished brass, burnished nickel, dark waxed bronze, polished nickel

dark pewter, german silver, light pewter, antique brass, oil rubbed bronze, satin nickel



 UL listed for use in dry environments

 Manufactured using 95% recycled brass