



REMAINS LIGHTING

PERMANENT COLLECTION

AVA 14 SCONCE

Facets on the arm and cup echo the bevel of the mirror back on this simple, glamorous brass sconce. Shown in Polished Nickel.

DIMENSIONS:

Overall: 14-1/2" h. x 4-1/2" w. x 3" d.

LAMPING:

Single Candelabra socket, maximum 60 watts

OPTIONS:

Black or white glass insert also available. For other configurations and sizes, see our Ava/Rex Family.

JUNCTION BOX:

2" x 3" Vertical junction box recommended

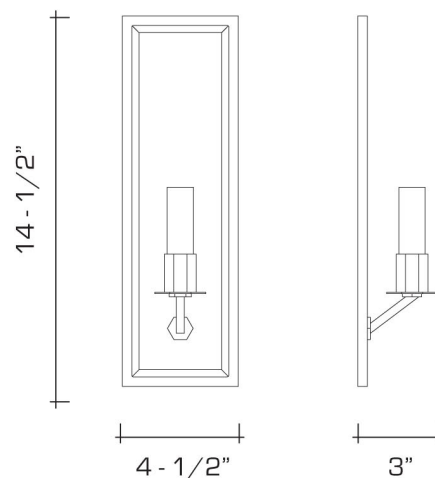



AVAILABLE FINISHES


polished brass

burnished brass, burnished nickel, dark waxed bronze, polished nickel

dark pewter, german silver, light pewter, antique brass, oil rubbed bronze, satin nickel



 UL listed for use in dry environments

 Manufactured using 100% recycled brass