



# REMAINS LIGHTING

PERMANENT COLLECTION

## ERIC TWIN SCONCE

A double-light torchiere sconce, precisely crafted from solid brass, with fine beading and rope-twist details.

Shown in Polished Nickel.

### DIMENSIONS:

Overall: 13-1/4" h. x 9" w. x 4-3/4" d.

Backplate: 4-3/4" h. x 3" w.

### LAMPING:

2 candelabra sockets, maximum 60 watts per socket

### OPTIONS:

For other configurations and sizes, see our Eric Family.

### JUNCTION BOX:

2" x 3" vertical junction box recommended

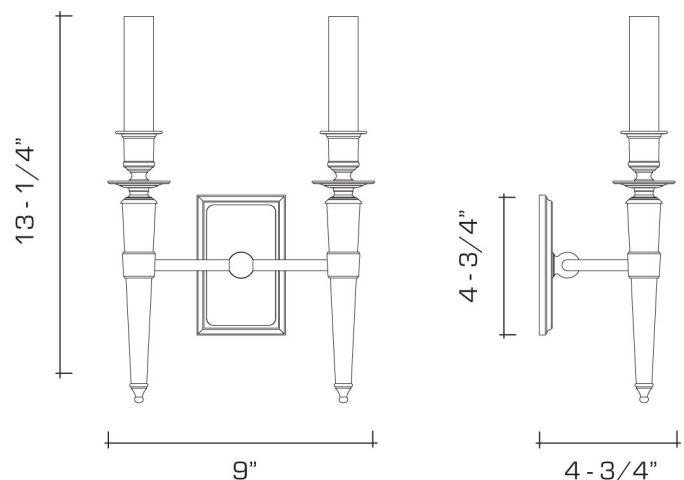



## AVAILABLE FINISHES


polished brass

burnished brass, burnished nickel, dark waxed bronze, polished nickel

dark pewter, german silver, light pewter, antique brass, oil rubbed bronze, satin nickel



 UL listed for use in dry environments

 Manufactured using 98% recycled brass