



REMAINS LIGHTING

PERMANENT COLLECTION

NEW YORK • GREENWICH • CHICAGO • LOS ANGELES • LONDON

ERIC SWING FLOOR LAMP

Crisp rope and bead details accent the torchiere-form candle holders of this swing-arm floor lamp, designed by Steven Sclaroff. With a tapered linen shade.

Shown in Polished Brass.

DIMENSIONS:

OVERALL (EXTENDED): 66" H. x 12" W. x 25" D.

SHADE: 10" H. x 10" TOP DIAMETER x 12" BOTTOM DIAMETER

BASE: 11" W. x 11" D.

LAMPING:

Single Edison socket, maximum 150 watts

Also available with single 3-way or GU24 socket

OPTIONS:

For other configurations and sizes, see our Eric Family.



UL listed for use in dry environments

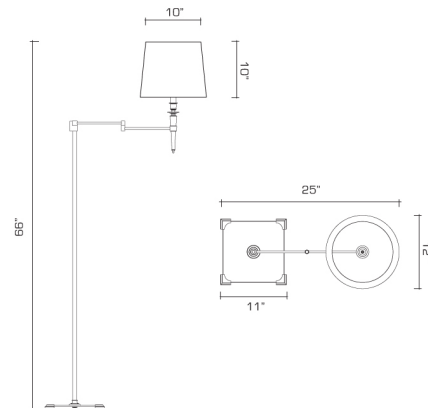
AVAILABLE FINISHES

polished brass

burnished brass, burnished nickel, dark waxed bronze, polished nickel

dark antique brass, dark pewter, german silver, light antique brass, light pewter, medium antique brass, oil rubbed bronze, satin nickel

silverplate



Manufactured using 90% recycled brass