



# REMAINS LIGHTING

PERMANENT COLLECTION

NEW YORK • GREENWICH • CHICAGO • LOS ANGELES • LONDON

## ERIC TABLE LAMP

A double torchiere-form table lamp with crisp roped and beaded details, designed by Steven Sclaroff. With a tapered rectangular linen shade. Shown in Polished Nickel.

### DIMENSIONS:

OVERALL: 31" H. X 12-1/2" W. X 5-1/2" D.

SHADE: 9-1/2" H. X 18" W. X 10" D.

BASE: 8-1/2" W. X 5-1/2" D.


### LAMPING:

2 Edison sockets, maximum 75 watts per socket  
Also available with 2 3-way or GU24 sockets

### OPTIONS:

For other configurations and sizes, see our Eric Family.



 UL listed for use in dry environments

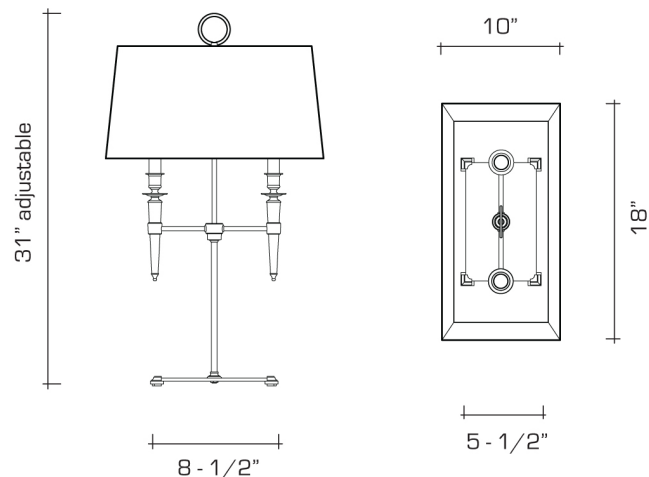
### AVAILABLE FINISHES

polished brass

burnished brass, burnished nickel, dark waxed bronze, polished nickel

dark antique brass, dark pewter, german silver, light antique brass, light pewter, medium antique brass, oil rubbed bronze, satin nickel

silverplate



Manufactured using 90% recycled brass