



REMAINS LIGHTING

PERMANENT COLLECTION

NEW YORK • GREENWICH • CHICAGO • LOS ANGELES • LONDON

VERONIQUE TABLE LAMP

Inspired by classic French Moderne designs, this table light, designed by Steven Sclaroff, embraces pure, sleek, simple forms. With an oval linen shade. Shown in Polished Nickel.

DIMENSIONS:

OVERALL: 31" H. X 11-1/4" W. X 5-5/8" D.

SHADE: 9-3/4" H. X 20" W. X 12-1/2" D.

BASE: 9" W. X 5-5/8" D.


LAMPING:

2 Edison sockets, maximum 75 watts per socket
Also available with 2 3-way or GU24 sockets

OPTIONS:

For other configurations and sizes, see our Veronique Family.



 UL listed for use in dry environments

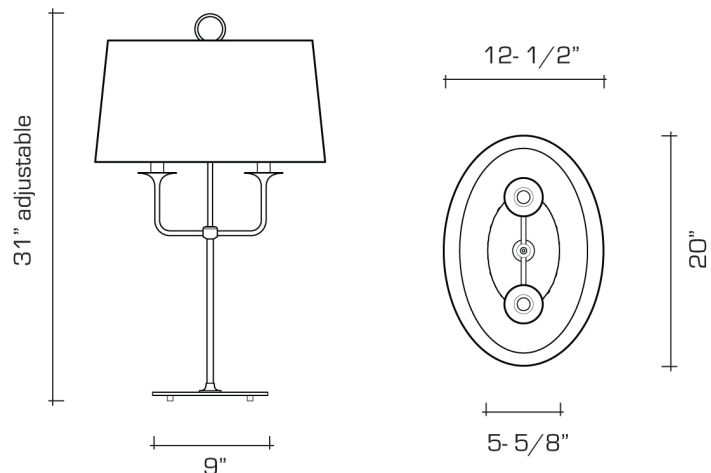
AVAILABLE FINISHES

polished brass

burnished brass, burnished nickel, dark waxed bronze, polished nickel

dark antique brass, dark pewter, german silver, light antique brass, light pewter, medium antique brass, oil rubbed bronze, satin nickel

silverplate



Manufactured using 90% recycled brass