



REMAINS LIGHTING

PERMANENT COLLECTION

NEW YORK • GREENWICH • CHICAGO • LOS ANGELES • LONDON

MADELINE MIRROR

The delicate edge of the Madeline mirror's bronze frame is embellished with a gentle outside cove and step detail.

Shown in Polished Nickel.

DIMENSIONS:

OVERALL: 25-5/8" H. x 19-3/4" W. x 5/8" D.

MOUNTING TYPE: D RINGS

SPECIFY PORTRAIT OR LANDSCAPE ORIENTATION.

OPTIONS:

Available in additional standard and custom sizes.

For other configurations and sizes, see our Madeline Family.



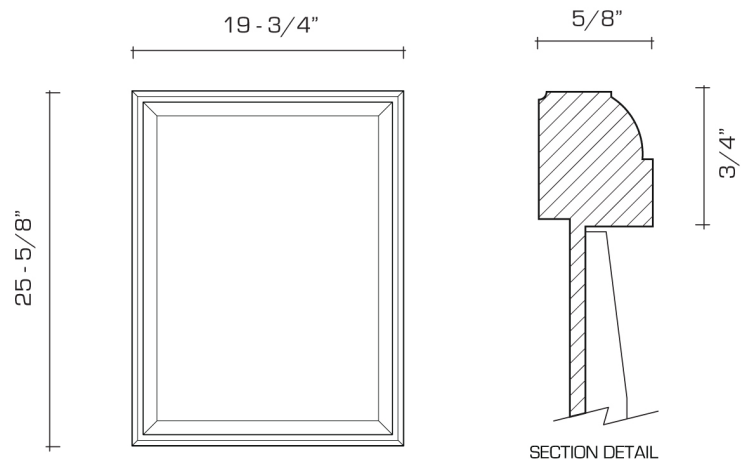
AVAILABLE FINISHES

polished bronze

burnished nickel, dark waxed bronze, polished nickel, burnished bronze

dark antique bronze, dark pewter, german silver, light antique bronze, light pewter, medium antique bronze, oil rubbed bronze, satin nickel

silverplate



Manufactured using 90% recycled brass