



# REMAINS LIGHTING

PERMANENT COLLECTION

## SOPHIA PENDANT

A cased glass pendant fixture sculpted with foliate detail and fluting.

Shown in Polished Nickel.

### DIMENSIONS:

Minimum height (flush mounted): 10-1/4"

Minimum height (with hangstraight): 13"

Minimum height (with one link of chain): 16"

Glass: 7-1/2" h. x 8" diameter

### LAMPING:

Single Edison socket, maximum 100 watts

Also available with single GU24 socket

### OPTIONS:

Quick Ship available in selected finishes.

Reeded or smooth stem also available. Reduced minimum heights available.

For other configurations and sizes, see our Sophia Family.

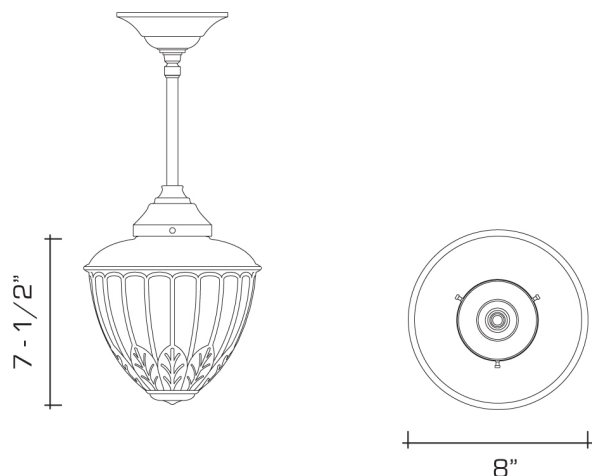



## AVAILABLE FINISHES


polished brass

burnished brass, burnished nickel, dark waxed bronze, polished nickel

dark pewter, german silver, light pewter, antique brass, oil rubbed bronze, satin nickel



 UL listed for use in dry or damp environments.

 Manufactured using 90% recycled brass