



REMAINS LIGHTING

PERMANENT COLLECTION

DIANA PENDANT

An inverted dome chandelier of bent glass held by a cast bronze ring with a leaf-and-dart border. The bowl is suspended by three slender ribbed stems. Shown in Oil Rubbed Bronze.

DIMENSIONS:

Minimum height: 16"

Overall: 16" diameter

LAMPING:

3 Edison sockets, maximum 75 watts per socket

Also available with 3 GU24 sockets

OPTIONS:

For other configurations and sizes, see our Diana Family.

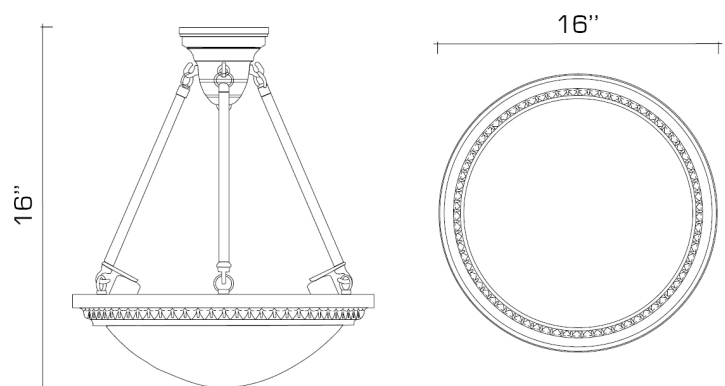



AVAILABLE FINISHES


polished brass

burnished brass, burnished nickel, dark waxed bronze, polished nickel

dark pewter, german silver, light pewter, antique brass, oil rubbed bronze, satin nickel



 UL listed for use in dry environments

 Manufactured using 95% recycled brass