



REMAINS LIGHTING

PERMANENT COLLECTION

NEW YORK • GREENWICH • CHICAGO • LOS ANGELES • LONDON

MARTIN PENDANT

An elegant and versatile eight-sided geometric pendant, glazed with frosted seeded glass. The glass is framed in solid brass. Shown in Polished Nickel.

DIMENSIONS:

MINIMUM HEIGHT: 23"

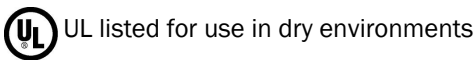
OVERALL: 12" w. x 12" d.

LAMPING:

Single Edison socket, maximum 150 watts
Also available with single GU24 socket

OPTIONS:

Several glass variations available.
For other configurations and sizes, see our Martin Family.



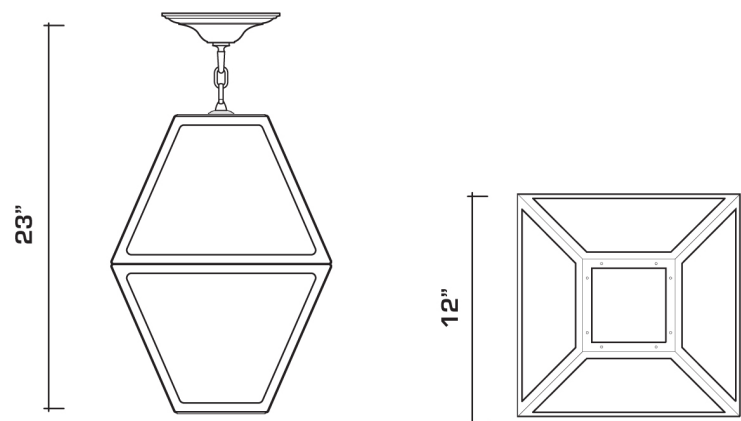
AVAILABLE FINISHES

polished brass

burnished brass, burnished nickel, dark waxed bronze, polished nickel

dark antique brass, dark pewter, german silver, light antique brass, light pewter, medium antique brass, oil rubbed bronze, satin nickel

silverplate



Manufactured using 90% recycled brass