



REMAINS LIGHTING

PERMANENT COLLECTION

DOUGLAS SINGLE SWING ARM SCONCE

A torchiere swing-arm sconce, precisely crafted from solid brass, with fine beading and rope-twist details. The lamp is shaded with a silk shade. Shown in Polished Brass.

DIMENSIONS:

Overall (extended): 16-1/2" h. x 10" w. x 14-5/16" d.
Backplate: 4-3/4" diameter
Shade: 10" h. x 8" diameter

LAMPING:

Single Edison socket, maximum 100 watts
Also available with single GU24 or Three-Way Edison socket

OPTIONS:

For other configurations and sizes, see our Douglas Family.

JUNCTION BOX:

2" x 3" vertical junction box recommended

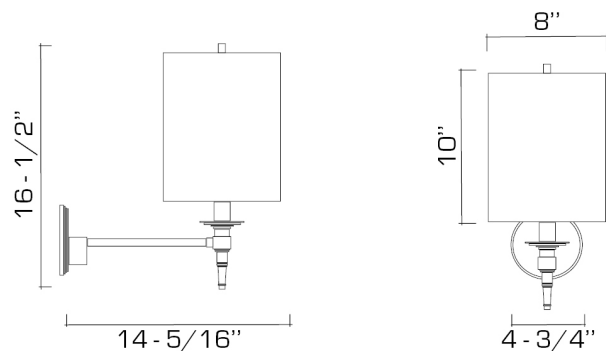



AVAILABLE FINISHES


polished brass

burnished brass, burnished nickel, dark waxed bronze,
polished nickel

dark pewter, german silver, light pewter, antique brass, oil
rubbed bronze, satin nickel



 UL listed for use in dry environments

 Manufactured using 95% recycled brass