



# REMAINS LIGHTING

PERMANENT COLLECTION

## MONTGOMERY SINGLE SWING ARM SCONCE

Montgomery is simple, clean, sharply tailored, and always elegant but with something profound under the surface. There's an undeniable and magical thread to the sunken SS Richard Montgomery, an American Liberty cargo ship, the masts still visible off the shore of the Thames Estuary. The lamp is shaded with a linen shade. Shown in Polished Brass.

### DIMENSIONS:

Overall: 19-5/16" h. x 8" w. x 14-3/8" d.

Backplate: 4-7/8" h. x 4-7/8" w.

### LAMPING:

Single Edison socket, maximum 100 watts

### OPTIONS:

For other configurations and sizes, see our Montgomery Family.

### JUNCTION BOX:

2" x 3" Vertical junction box recommended

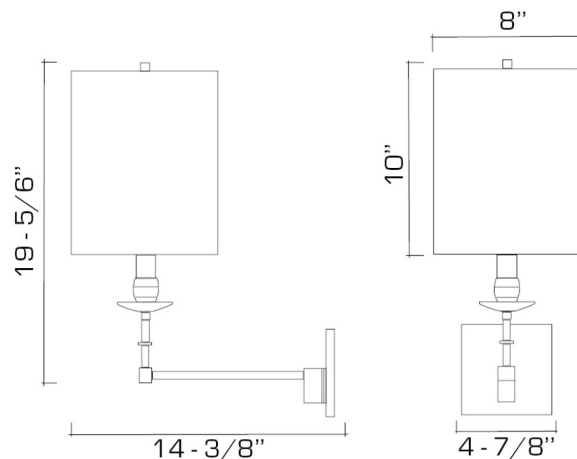



### AVAILABLE FINISHES

polished brass

burnished brass, dark waxed bronze, polished nickel,  
burnished nickel

german silver, antique brass, oil rubbed bronze, satin  
nickel, light pewter, dark pewter



 UL listed for use in dry environments