



# REMAINS LIGHTING

PERMANENT COLLECTION

## ELIAS 19 CHANDELIER

A six-light chandelier, its candles held in simple waxpans and arrayed around the rim of a six-spoked wheel. The ring is suspended by three chains which transition to one primary chain.

Shown in Burnished Nickel.

### DIMENSIONS:

Minimum height: 21"

Overall: 19" diameter

### LAMPING:

6 candelabra sockets, maximum 60 watts per socket

Also available with 6 Edison sockets

### OPTIONS:

For other configurations and sizes, see our Elias Family.

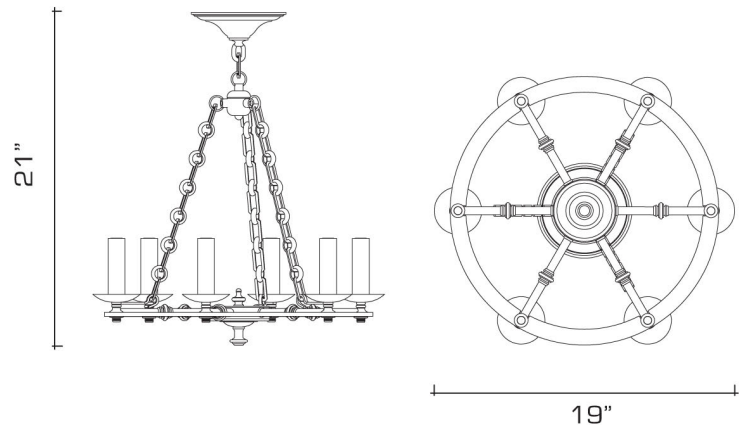



## AVAILABLE FINISHES


polished brass

burnished brass, burnished nickel, dark waxed bronze, polished nickel

dark pewter, german silver, light pewter, antique brass, oil rubbed bronze, satin nickel



 UL listed for use in dry environments

 Manufactured using 80% recycled brass