



REMAINS LIGHTING

PERMANENT COLLECTION

NEW YORK • GREENWICH • CHICAGO • LOS ANGELES • LONDON

ERICA 4 CHANDELIER

Four delicately rope and bead-detailed, tapered torches hang within a hard-backed linen shade. Designed by Steven Sclaroff. Shown in Silverplate.

DIMENSIONS:

MINIMUM HEIGHT: 27"

OVERALL: 12-1/4" DIAMETER

SHADE: 11" H. X 16" TOP DIAMETER X 18" BOTTOM DIAMETER


LAMPING:

4 candelabra sockets, maximum 60 watts per socket

OPTIONS:

Specify white or black linen shade.
For other configurations and sizes, see our Eric Family.



 UL listed for use in dry environments

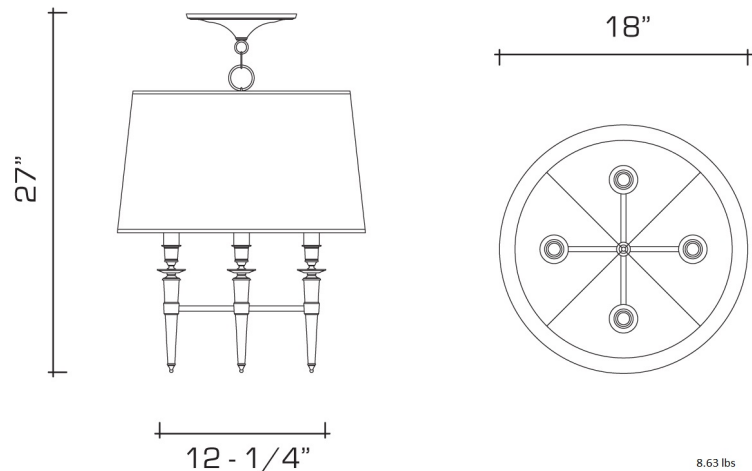
AVAILABLE FINISHES

polished brass

burnished brass, burnished nickel, dark waxed bronze, polished nickel

dark antique brass, dark pewter, german silver, light antique brass, light pewter, medium antique brass, oil rubbed bronze, satin nickel

silverplate



8.63 lbs



Manufactured using 90% recycled brass