



# REMAINS LIGHTING

PERMANENT COLLECTION

## SEBASTIAN CHANDELIER

A circular eight-light chandelier with rectangular chain and canopy, precisely cut and formed of solid brass. All of the elements interlock seamlessly, with no visible fasteners, for a streamlined look.

Shown in Burnished Brass.

### DIMENSIONS:

Minimum height: 17-3/8"

Overall: 20-1/4" diameter

### LAMPING:

8 candelabra sockets, maximum 60 watts per socket

### OPTIONS:

For other configurations and sizes, see our Sebastian Family.

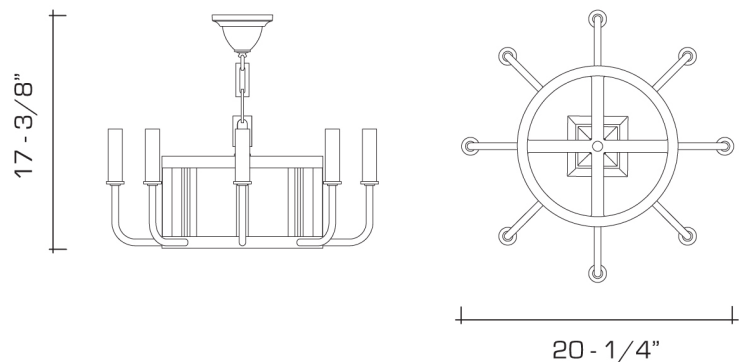



## AVAILABLE FINISHES


polished brass

burnished brass, burnished nickel, dark waxed bronze, polished nickel

dark pewter, german silver, light pewter, antique brass, oil rubbed bronze, satin nickel



 UL listed for use in dry environments

 Manufactured using 85% recycled brass