



# REMAINS LIGHTING

PERMANENT COLLECTION

## VERONIQUE 12 CHANDELIER

A French Moderne style twelve-light chandelier with sleek flared arms radiating from a lozenge cluster. The delicate body is suspended from a slender rod and a length of chain, depending on overall height. Shown in Dark Waxed Bronze.

### DIMENSIONS:

Minimum height: 32-1/2"

Overall: 36" diameter

Height to loop: 27-1/2"

### LAMPING:

12 Candelabra sockets, maximum 60 watts per socket

### OPTIONS:

Quick Ship available in selected finishes.

For other configurations and sizes, see our Veronique Family.

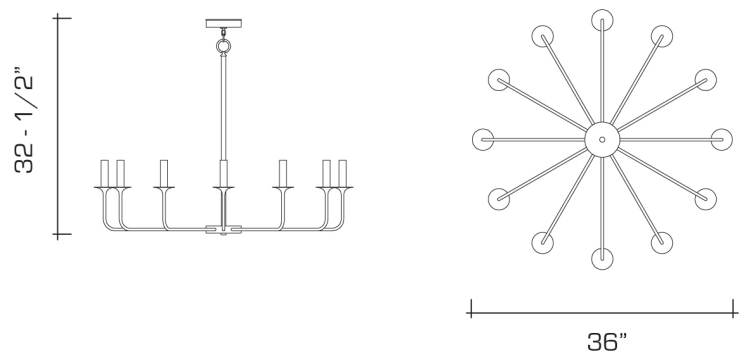



### AVAILABLE FINISHES


polished brass

burnished brass, burnished nickel, dark waxed bronze, polished nickel

dark pewter, german silver, light pewter, antique brass, oil rubbed bronze, satin nickel



 UL listed for use in dry environments

 Manufactured using 85% recycled brass