



REMAINS LIGHTING

PERMANENT COLLECTION

HERON LANTERN

Our modern distillation of the traditional English foursquare hall lantern is a clean, sharply detailed rectangular form made of solid brass. Glazed with clear, fluted glass panels. Shown in Polished Nickel.

DIMENSIONS:

Minimum height: 23"
Overall: 10" w. x 10" d.
Height to loop: 17-1/2"
Body: 14-1/4" h. x 10" w. x 10" d.

LAMPING:

4 Candelabra sockets, maximum 60 watts per socket
Also available with single Edison or GU24 socket (frosted glass recommended)

OPTIONS:

Several glass variations available.
For other configurations and sizes, see our Heron Family.

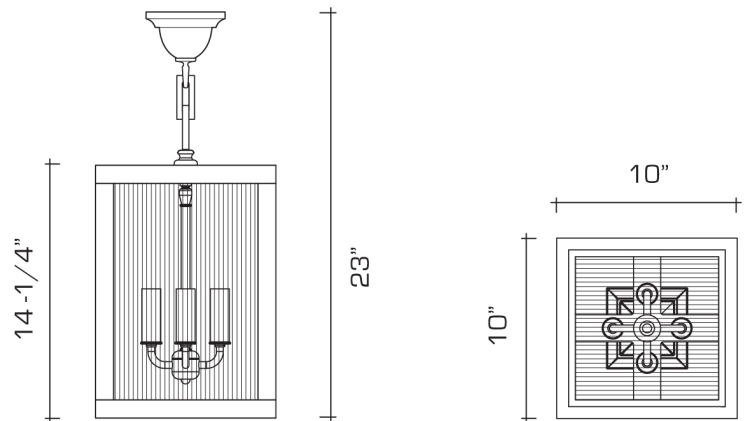



AVAILABLE FINISHES


polished brass

burnished brass, burnished nickel, dark waxed bronze, polished nickel

dark pewter, german silver, light pewter, antique brass, oil rubbed bronze, satin nickel



 UL listed for use in dry environments

 Manufactured using 90% recycled brass