

for **REMAINS**  **LIGHTING**

MOLECULE WALL SCONCE

Originally designed by Swiss architect Robert Haussmann in 1965 for the Ingolstadt theater. The most simple arrangement of a solid brass sphere and three round bar arms, each ending in a point of light.

Shown in Burnished Brass.

DIMENSIONS:

Overall: 8-5/8" h. x 9-7/8" w. x 3-3/4" d.

Backplate: 5" diameter

LAMPING:

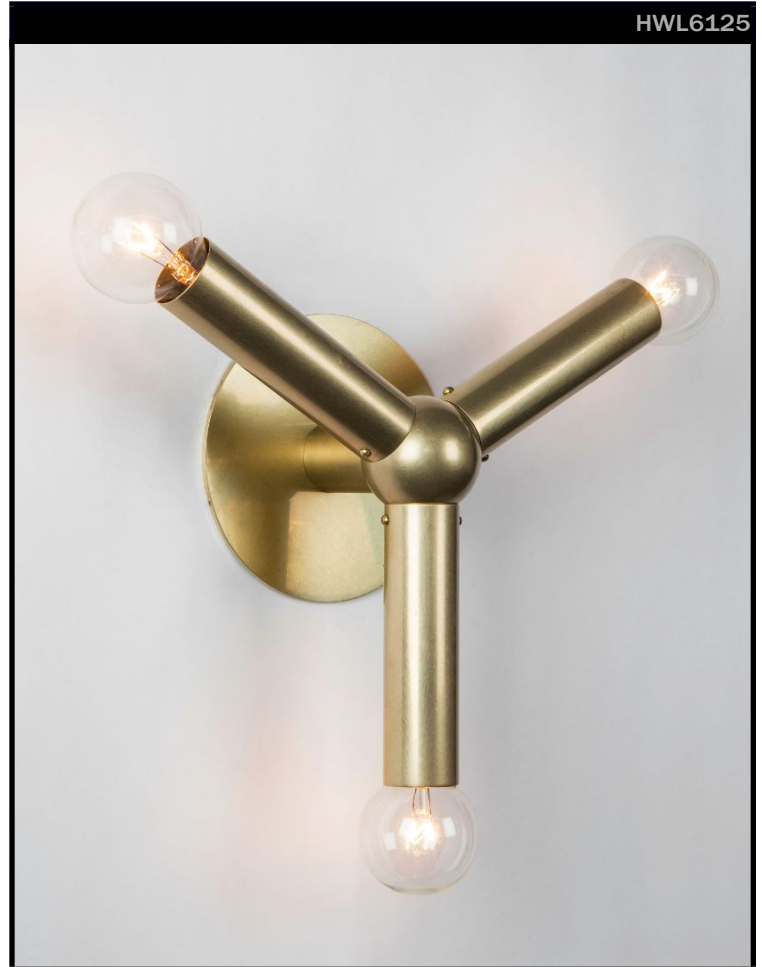
3 Candelabra sockets, maximum 60 watts per socket

OPTIONS:

For other configurations and sizes, see our Molecule Family.

JUNCTION BOX:

2" x 3" Vertical junction box recommended



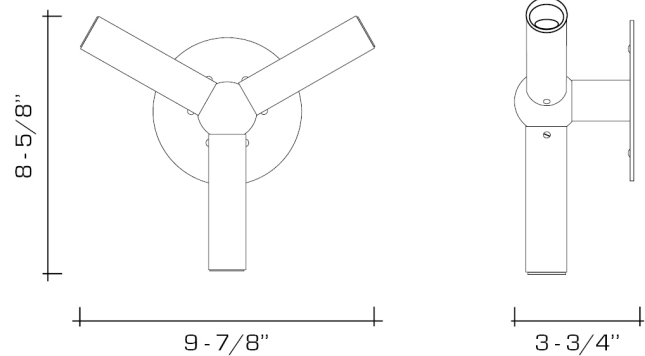
AVAILABLE FINISHES


polished brass

polished nickel, burnished brass, dark waxed bronze, burnished nickel

antique brass, satin nickel

light pewter, german silver, dark pewter



 UL listed for use in dry environments