

for **REMAINS**  **LIGHTING**

### WALL SCONCE

Originally designed by Swiss architect Robert Haussmann in 1965 for the Ingolstadt theater. The most simple arrangement of a solid brass sphere and three round bar arms, each ending in a point of light.

Shown in Burnished Brass.

### DIMENSIONS:

Overall: 8-5/8" h. x 9-7/8" w. x 3-3/4" d.

Backplate: 5" diameter

### LAMPING:

3 Candelabra sockets, maximum 60 watts per socket

### OPTIONS:

Quick Ship available in selected finishes. For other configurations and sizes, see our Molecule Family.

### JUNCTION BOX:

2" x 3" Vertical junction box recommended



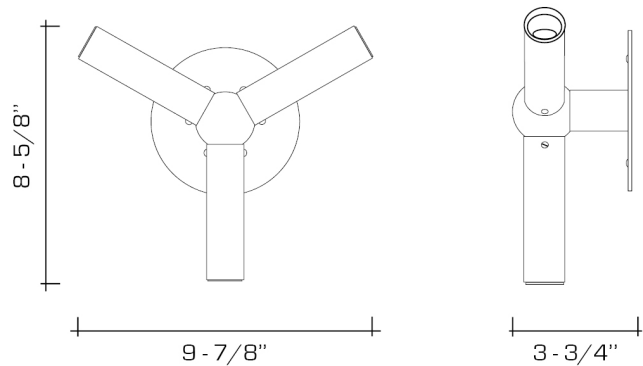
### AVAILABLE FINISHES


polished brass

polished nickel, burnished brass, dark waxed bronze, burnished nickel

antique brass, satin nickel

light pewter, german silver, dark pewter



 UL listed for use in dry environments