

for **REMAINS**  **LIGHTING**

MOLECULE SQUARE CHANDELIER

Originally designed by Swiss architect Robert Haussmann in 1965 for the Ingolstadt theater. Solid brass bars and spheres, in a square arrangement, each segment ending in a point of light, all suspended by delicate braided stainless cables. Available in many sizes and configurations. Shown in Polished Brass.

DIMENSIONS:

Minimum height: 17"
Overall: 24-1/8" w. x 24-1/8" d.

LAMPING:

12 Candelabra sockets, maximum 25 watts per socket

OPTIONS:

Quick Ship available in selected finishes.

For other configurations and sizes, see our Molecule Family.



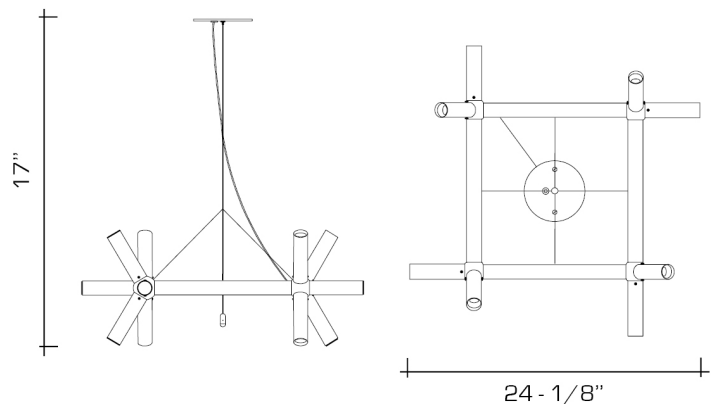
AVAILABLE FINISHES


polished brass

polished nickel, burnished brass, burnished nickel, dark waxed bronze

satin nickel, antique brass

dark pewter, german silver, light pewter



 UL listed for use in dry environments