



# REMAINS LIGHTING

PERMANENT COLLECTION

NEW YORK • GREENWICH • CHICAGO • LOS ANGELES • LONDON

## MERCER 17 EXTERIOR SCONCE

Inspired by stable windows seen in the Pennsylvania countryside, the Mercer sconce uses traditional, spare architectural profiles and clean expressed joinery.

Shown in Medium Antique Brass.

### DIMENSIONS:

OVERALL: 17-1/2" H. x 11-3/4" W. x 6-1/2" D.

BACKPLATE: 17-1/2" H. x 11-3/4" W.

### LAMPING:

2 Edison sockets, maximum 75 watts per socket  
Also available with 2 GU24 sockets (frosted glass recommended)


### OPTIONS:

Several glass variations available.  
For other configurations and sizes, see our Mercer Family.

### JUNCTION BOX:

2" x 3" Vertical junction box recommended



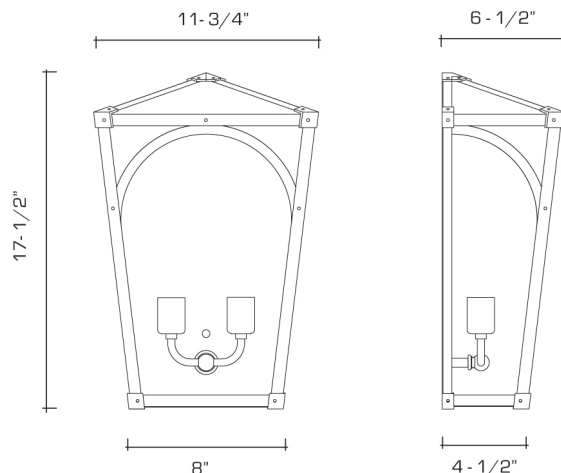
 UL listed for use in dry, damp, or wet environments.

### AVAILABLE FINISHES

polished brass

burnished brass, burnished nickel, dark waxed bronze, polished nickel

dark antique brass, dark pewter, german silver, light antique brass, light pewter, medium antique brass, oil rubbed bronze, satin nickel



Manufactured using 85% recycled brass