



GLOBE FLUSH MOUNT

A utilitarian design with luxurious materials: solid brass ribbed neck with a hand-blown white glass globe capped with a 90° brass half shade. Inspired by the works of Honsel, Lauritzen, and Weisdorf and the simplified forms found during the Functionalist design movement. Shown in Polished Nickel.

DIMENSIONS:

Overall: 9-5/8" drop x 8" diameter
 Backplate: 6" diameter

LAMPING:

Single Edison socket, maximum 100 watts

OPTIONS:

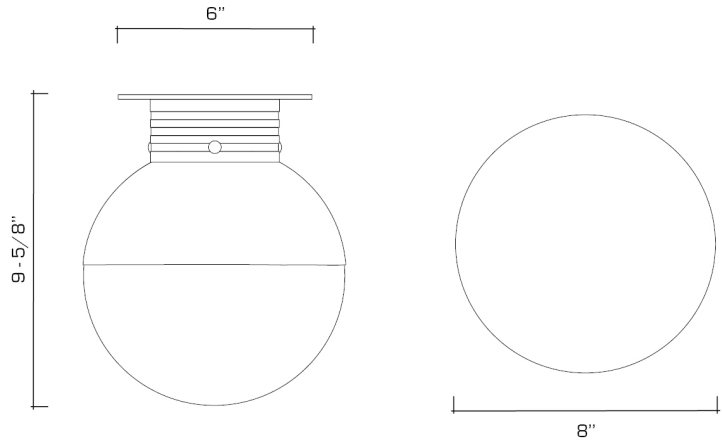
Supplied with 90° half shade; also available with 45° "eyelid" shade or without shade. For other configurations and sizes, see our Globe Family.




AVAILABLE FINISHES

polished brass

dark waxed bronze, polished nickel



 UL listed for use in dry or damp environments.