



REMAINS LIGHTING

PERMANENT COLLECTION

ADAM SCONCE

Recalling an Adam-period looking glass, the central feature of this brass sconce is its convex mirrored backplate. The full relief spheres that encircle the backplate are echoed in the fine beaded detail of the candle cups.

Shown in Polished Brass.

DIMENSIONS:

Overall: 13-1/4" h. x 10-3/8" w. x 5-1/4" d.

Backplate: 8-1/2" diameter

LAMPING:

2 candelabra sockets, maximum 60 watts per socket

OPTIONS:

For other configurations and sizes, see our Adam Family.

JUNCTION BOX:

2" x 3" vertical junction box recommended

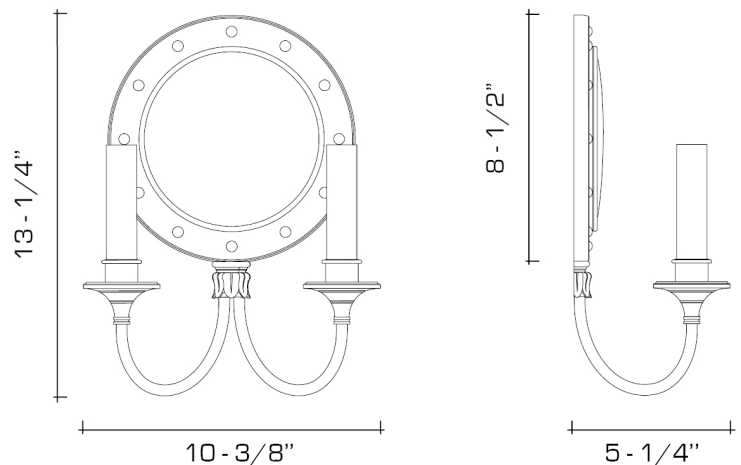



AVAILABLE FINISHES


polished brass

burnished brass, burnished nickel, dark waxed bronze, polished nickel

dark pewter, german silver, light pewter, antique brass, oil rubbed bronze, satin nickel



 UL listed for use in dry environments

 Manufactured using 95% recycled brass