



REMAINS LIGHTING

PERMANENT COLLECTION

NEW YORK • GREENWICH • CHICAGO • LOS ANGELES • LONDON

ADDISON SCONCE

Recalling an Adam-period looking glass, the central feature of this brass sconce is its convex mirrored backplate. The full-relief spheres that encircle the backplate are echoed in the fine beaded detail of the candle cups.

Shown in Polished Nickel.

DIMENSIONS:

OVERALL: 9-1/2" H. x 7-3/4" W. x 4-1/4" D.

BACKPLATE: 5" DIAMETER

LAMPING:

2 candelabra sockets, maximum 60 watts per socket


OPTIONS:

For other configurations and sizes, see our Adam Family.

JUNCTION BOX:

2" x 3" vertical junction box recommended



 UL listed for use in dry environments

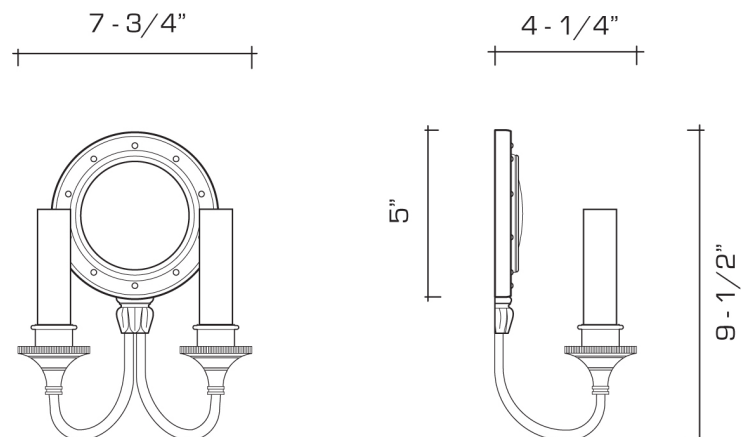
AVAILABLE FINISHES

polished brass

burnished brass, burnished nickel, dark waxed bronze, polished nickel

dark antique brass, dark pewter, german silver, light antique brass, light pewter, medium antique brass, oil rubbed bronze, satin nickel

silverplate



Manufactured using 90% recycled brass