



REMAINS LIGHTING

PERMANENT COLLECTION

ALEXANDRA SCONCE

This stately sconce pairs classical, Regency grandeur with 1930s elegance and sophistication. The scroll-edged backplate supports fluted, rectangular-section arms, which curve forward gracefully to hold tapered torchieres.

DIMENSIONS:

Overall: 9-1/2" h. x 9-1/2" w. x 4" d.

Backplate: 4-5/8" h. x 3-5/8" w.

LAMPING:

2 candelabra sockets, maximum 60 watts per socket

OPTIONS:

For other configurations and sizes, see our Alexandra Family.

JUNCTION BOX:

2" x 3" vertical junction box recommended

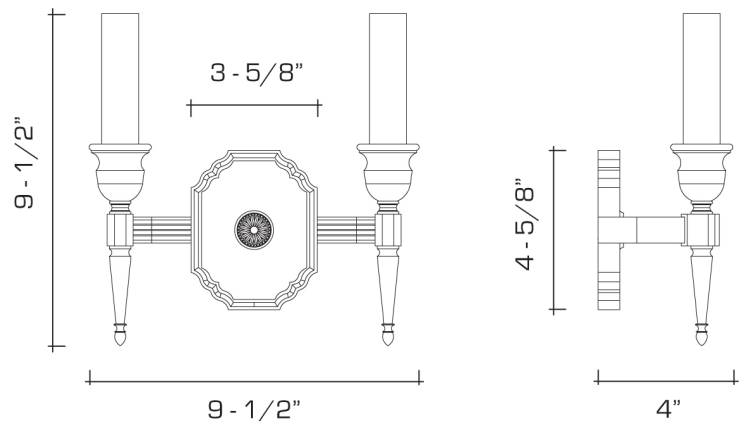



AVAILABLE FINISHES


polished brass

burnished brass, burnished nickel, dark waxed bronze, polished nickel

dark pewter, german silver, light pewter, antique brass, oil rubbed bronze, satin nickel



 UL listed for use in dry environments

 Manufactured using 85% recycled brass