



REMAINS LIGHTING

PERMANENT COLLECTION

NEW YORK • GREENWICH • CHICAGO • LOS ANGELES • LONDON

ALICE SCONCE

A single-light, oval backed wall sconce of cast and tooled brass. Fitted with a satin clear glass trumpet shade.

Shown in Silverplate.

DIMENSIONS:

OVERALL: 10-1/2" H. x 5" W. x 7" D.

BACKPLATE: 6-1/2" H. x 4-3/8" W.

LAMPING:

Single Edison socket, maximum 100 watts

Also available with single GU24 or candelabra socket

OPTIONS:


Available with satin white trumpet or satin clear square glass shade.

Can be inverted to function as a downlight.

JUNCTION BOX:

2" x 3" vertical junction box recommended



 UL listed for use in dry or damp environments.

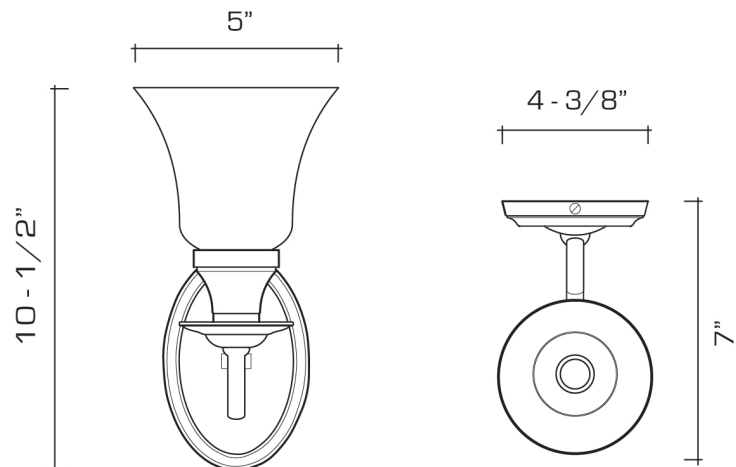
AVAILABLE FINISHES

polished brass

burnished brass, burnished nickel, dark waxed bronze, polished nickel

dark antique brass, dark pewter, german silver, light antique brass, light pewter, medium antique brass, oil rubbed bronze, satin nickel

silverplate



Manufactured using 85% recycled brass